

Arno Electric Fire

Easy Fitting Instructions



Helpful Advice Before Fitting

1. These instructions are provided in an easy to follow style. Simply follow the instructions in sequence to fit this product.
2. Please retain all packaging until you have checked and counted all the parts and the contents of the fixing pack against the parts list.

In the unlikely event that this product has missing or damaged parts, please call our helpline on 0870 224 2811 or e-mail helpline@adamsurrounds.co.uk for assistance or to obtain spare parts.

Parts List

Please ensure you have all the correct parts before beginning to fit this fire

- a) Heater main body
- b) Decorative brass fret
- c) Brass ash pan cover
- d) Moulded fuel bed
- e) 2 brass finials
- f) Neoprene fixing

Important Notes prior to fitting

- * The buyer should not attempt any repairs to the heater unit. In the event of a fault please call our customer services helpline.
- This product has electrical components. Before working on or near any part of the light housing, isolate it from the mains by unplugging the suite
- DO NOT use this appliance immediately below a fixed socket outlet
- DO NOT use this appliance in the immediate vicinity of a bath, shower or swimming pool
- DO NOT allow the heater unit to be covered as this may cause overheating.
- This appliance is supplied with a pre-wired three-pin plug (13 AMP fuse rated) and 1.8 meters of electric cable. It is therefore necessary for a suitable electrical socket to be located within this distance and be easily accessible. Do NOT route the cord directly below the heater unit

- If the cable is damaged it must be replaced by a suitably qualified person
- This appliance is suitable for installation into all proprietary surrounds with an opening of 406mm by 559mm (16" by 22")
- When replacing the bulb ensure that the appliance is disconnected at the main. To get to the bulb, remove the fuel bed by removing the 2 screws located at each side of the fuel bed.
- The area around the fire should be kept free of animal hair, lint and other extraneous material that may be drawn into the workings of the appliance and could affect its performance.

Appliance Data

- Supply Voltage: 230/240 Vac, 50Hz
- Heating Elements: 2 x 900W / 1000w
- Fuse Rating: 13 Amp
- Lighting: 1 x 25 or 40W BC Bulb

Installing the Appliance

This appliance needs a recess of 60mm, the spacer frame can be removed and the fire can be totally recessed to a depth of 110mm

To detach the spacer

Remove the 3 piece trim and unscrew the 8 black screws to detach the spacer, then click the trim back into position.

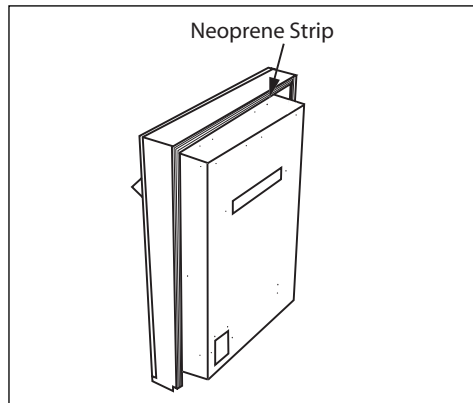
It may be installed directly into any propriety surround, with the 60mm recess

Fixing by neoprene strips

In normal installation circumstances, this method of fixing is satisfactory for use with Marble, Stone, Laminate, or any smooth faced mounting surface.

- Peel off the adhesive backing from one side of each strip and apply to the periphery Of the REAR of the appliance frame, as shown in Diagram a. (Ensure that the strips are not applied any closer than 5mm from the edge of the frame, attaching the strips closer may present problems when fitting the decorative trim)
- Tear off any excess lengths of strip to form a neat border around the frame.
- Before finally fitting the appliance into its location, remove the remaining strips of adhesive backing, ensuring that the mains cable and plug are properly routed,
- Locate the fire into the opening and press firmly around the edge of the frame to allow the strips to adhere to the back panel of the surround.

Diagram (a)



IMPORTANT - Due to the possibility of sharp edges, care should be taken when handling frame components. The use of gloves is recommended.

Assembling the fire

- Remove the fret and ash pan cover from packaging .If during the transit the moulded fuel bed has dislodged slide into place. Attach the brass finials to the top of the fret, and slide the fret into place as (diagram b) finally slide the ash pan cover into place as diagram c

Diagram (b)



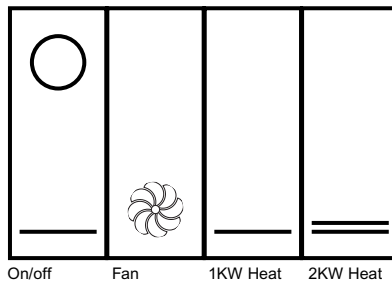
Diagram (c)



Operating The Appliance

Firstly check that the fan outlet is not covered or obstructed in any way and ensure that the power to the fire is switched on.

The appliance is controlled using four switches, mounted under the lift up hood. The left switch (OI) controls the main power to the fire and switches on the fuel effect, which can be used independently of heat for visual effect only. The second switch (🌀) operates the fan blower without heat, which can be used in the summer for cool air circulation. The switch marked with a single bar (I) operates the fan heater on the low setting (1kw). The switch marked with two bars (II) operates the fan heater on the high setting (2kw) To operate the 2kw heat detting ensure all 4 switches are fully depressed.



Safety Cut -Out system

This appliance has a safety cut out system fitted, which will activate if the air inlets or outlets are obstructed. Check for obstructions. The heater will switch back on automatically within 10 seconds.

Please Note -Your electric fire will need PAT testing 12 months from purchase. If you need any further advice or any spare parts for this item, please contact our customer service helpline on the details below.



Helpline telephone number: 0870 224 2811

Helpline email address: helpline@adamsurrounds.co.uk