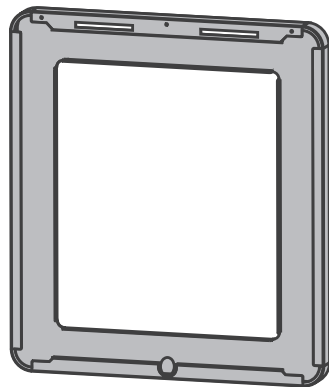
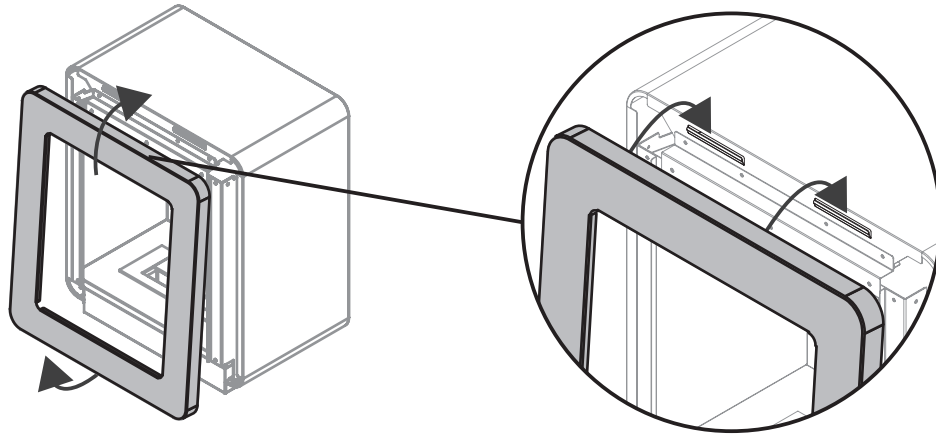


FASCIA INSTALLATION

1.



2.



3.

