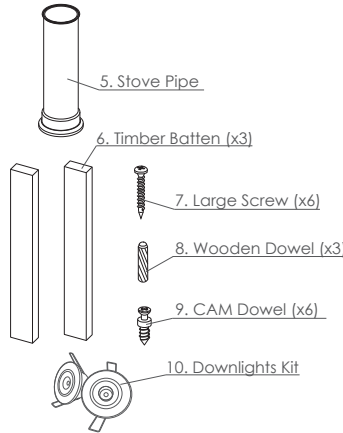
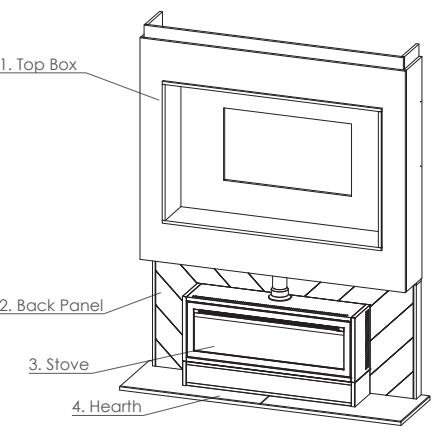
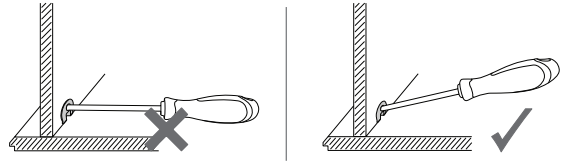


Stove Media Wall 3

Integrated fixings must be tightened at an angle, as shown below



1. 3 x Wooden Dowels

Insert 6 x Cam Dowels into the Hearth.
Then, fix the Back Panel onto the Hearth to create the base.
Insert 3 x wooden dowels into the top of the base.

2.

With help, position the base as desired.
Using the top of the base as a straight edge, mark a line on the wall along the width between the cut-outs.
Then, temporarily move the base to access the wall.

3a.

3a. Measure 18mm below the drawn line and mark another horizontal line, ensuring it is straight.
Then, using the appropriate fixings, securely fit a timber batten centrally along the marked line.

3b.

3b. Reposition the base and screw into the pre-drilled holes.

4.

Feed an extension lead through the back of the cutout in the back panel and plug the stove in.
Plug in the downlights & switch and hang over the FRONT of the back panel - these will be fitted later.

5a.

5a. Using a spirit level to ensure the lines are straight, measure 1270mm from the top of the base and mark a line 10mm inward of both outer faces of the base on the wall.

5b.

5b. Using the appropriate fixings, securely fit 2 x timber battens to the inside of the lines marked on the wall.

6.

With help, carefully lift the top box then lower and sit the top box onto the dowels on top of the base. As you do this, feed the downlight cables into the top box to prevent them being crushed beneath it.
Once in position, to prevent the top box falling, do not leave unattended until it has been fixed to the wall.

7.

Keep the top box pressed firmly against the wall. Then, using the 4 x large screws provided, screw into the pre-drilled holes in the side of the top box to fix the top box in position.
Ensure the screws are tight and the top box is secure before

8.

With help, position the stove on the hearth.
Due to clearance, it may be necessary to insert the stove pipe before/during the stove installation.

9.

Fit the downlights and switch into the top box.
Please refer to the downlight instructions to install these.