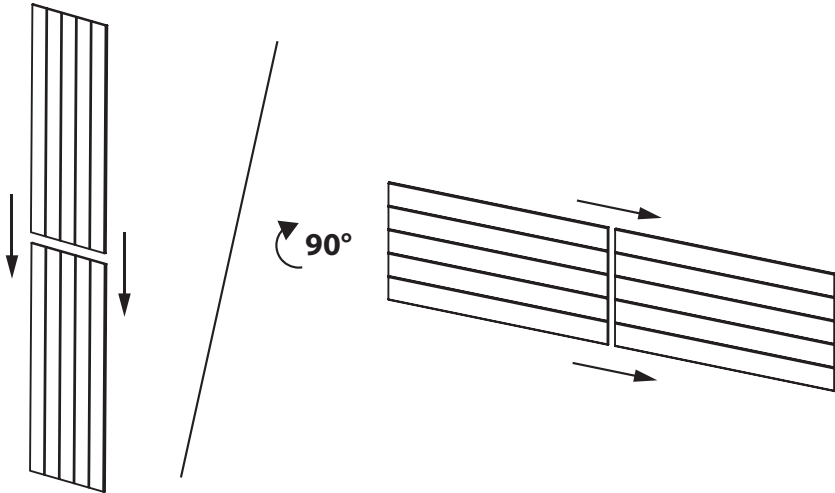


NOTE: Images for illustration only. Designs may vary.



RECOMMENDED INSTALLATION METHODS

GLUING

Apply an appropriate adhesive to the back of the panel(s) and adhere to the wall. Pins can be used to hold the panel(s) in place whilst the adhesive sets.

PINNING

The panel(s) can be pinned directly to the wall. Ensure the appropriate wall fixings are used for the wall.

Note: If installing the panel(s) on a ceiling, ensure they are pinned into the ceiling joists.

BATENS

If the panel(s) are being fitted to battens, fix the battens to the wall using the appropriate fixing method first. Then, pin the panel(s) to the battens.

ATTENTION: Fixings and Battens are not supplied.

WARNING:

PAINTING BEFORE MOUNTING TO WALL
WILL CAUSE THE PANEL TO WARP.

