

# Adam

WALL HANGING FIRE

[www.adamfires.co.uk](http://www.adamfires.co.uk)

**These notes must be read before installation**

These instructions are for your safety. Please read through them thoroughly before use and retain for future reference. Failure to follow them could cause injury and/or property damage.

Note: This manual applies for a number of different products. Please make sure you follow the appropriate product guide lines.

**CONTENTS****SECTION 01**

Cautions	03-04
Introduction	05
Handling	05
Unpacking	05

**SECTION 02**

Tools required	06
Identification	06
Parts supplied	06
Fixings pack	06

**SECTION 03**

Installation	07-11
Use	12
Care	12
Specification	13
Guarantee	16
Contacts	16

## CAUTIONS

### DO'S

---

- Always install the fire in accordance with this guide. If in doubt obtain expert advice.

---

- Always make sure the electrical socket is accessible and located adjacent to, but not above the fire.

---

- Always disconnect the fire from the electrical supply before carrying out cleaning or maintenance.

---

- Always assemble the fire in accordance with this guide. If in doubt, obtain expert advice.

---

- Always ensure the product is assembled in an area that is free from dust, grease or liquids.

---

### DON'TS

---

- Never leave children unsupervised in a room where the fire is ON and unguarded.

---

- Never obstruct or cover the fan outlet or force items into fire openings.

---

- Never install or use the fire anywhere where water is in use, i.e. Bathrooms, Kitchens, Shower Rooms, Swimming Pools etc.

---

- Never use aerosols or steam cleaners on or around the fire.

---

- Never route the mains supply cord under carpet etc.

---

- Never install the fire close to curtains or combustible materials.

---

- Never use the fire to dry clothes etc.

---

- Never sit or stand on the fire.

---

- Never lean or put weight on the fire.

---

- Do not use outdoors.

---

- Do not position furniture, curtains or other combustible material closer than 1 metre from the heater.

---

- Never cut off the plug and hard wire into a fixed fused spur

---

## PLEASE DO NOT OBSTRUCT THE AIR VENTS OF THE ELECTRIC STOVE

This appliance has a 'self resetting' safety cut out system. To prevent overheating, ensure the air inlets and outlets are not obstructed. If the safety cut-out operates, switch off the electric fire and allow to fully cool down. Remove any obstruction before re-use.

### IMPORTANT ELECTRICAL SAFETY

The fire must not be located under an electrical socket; the socket must always be accessible in order to disconnect the heater from the electrical supply for maintenance and cleaning. Never cut off the plug and hard wire into a fixed fused spur.

### IMPORTANT!

- Do not spray liquids directly onto any surface of the unit.
- This fire must be earthed. The mains supply cord must be safely routed from the fire to an electrical socket.
- If the supply cord is damaged, it must be replaced by the manufacturer or its service agent or a similarly qualified person in order to avoid a hazard.
- This appliance is not intended for use by persons (including children) with reduced physical, sensory or mental capabilities, or lack of experience and knowledge, unless they have had supervision or instruction concerning use of the appliance by a person responsible for their safety.
- Children should be supervised to ensure that they do not play with the appliance.
- The plug must be accessible after installation to allow for isolation in an emergency.



Warning: In order to avoid overheating, **DO NOT COVER THE HEATER**

**Note:** Any new wiring required, must be in accordance with local and national codes and other applicable regulations in order to reduce the risk of fire, electric shock, or other injuries.

**Note:** When the fire is turned on for the first time or when it has not been used for some time, it may release a slight, harmless odour. This odour is a normal occurrence caused by the initial heating of the internal heating elements and will disappear with use.

## INTRODUCTION

Thank you for choosing this hang on the wall electric fire. The product is designed to meet the most stringent quality, performance, and safety requirements. This guide aims to improve your understanding and appreciation of your new fire by providing simple and informative assembly instructions.

## HANDLING

Before continuing any further with the installation of this fire please read the following:

- When lifting always keep your back straight. Bend your legs and not your back.
- Avoid twisting at the waist. It is better to reposition your feet.
- Avoid upper body / top heavy bending. Always bend from the knees rather than the waist.
- Do not lean forward or sideways whilst handling the fire.
- Always grip with the palm of the hand. Do not use the tips of fingers for support.
- Always keep the product as close to the body as possible. This will prevent unnecessary and undue strain on the body.
- Use gloves to provide additional grip.
- Always use assistance if required.

## UNPACKING

The unit is supplied in a single package carton. Carefully unpack the product using the following procedure:

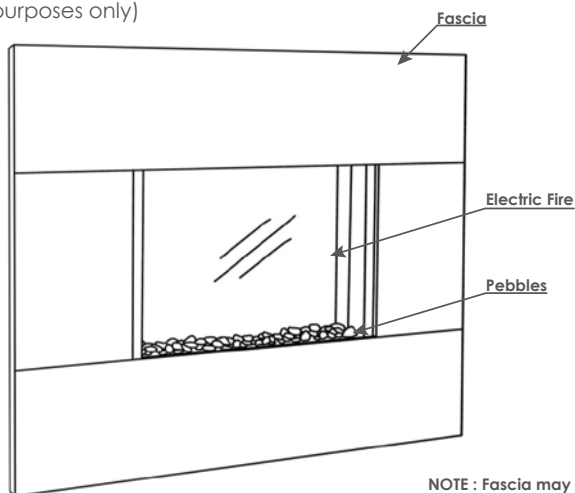
- Carefully lift the fascia first from the carton and put aside.
- Lift the electric fire from the carton and put aside.
- Carefully remove the plastic wrapping from the parts.
- Locate the fixing pack and put aside.
- Ensure the supply requirements indicated on the Rating Label fixed to the side of the product is compatible with the supply voltage available.

## TOOLS REQUIRED

- Crosshead screwdriver
- Electric drill
- 6mm diameter masonry bit
- Pencil
- Spirit level

## IDENTIFICATION

(Image for illustrative purposes only)



**NOTE :** Fascia may be supplied in separate packaging.

## PARTS SUPPLIED

Description	Qty.
Electric Fire	x 1
Fascia	x 1
Pebble Pack	x 1
Fixing Template	x 1

If using a glass panel fascia with this product, these should also be included:

Description	Qty.
Fascia	x 1
Glass Panel	x 1
Additional Fixings pack	x 1

Please ensure you have ALL the correct parts before installing the unit.

## FIXINGS PACK

- 3x** Wall Plugs  
**3x** 32mm Screws

## GLASS PANEL FASCIA ASSEMBLY

THIS GLASS PANEL FASCIA ASSEMBLY SECTION ONLY APPLIES IF YOU HAVE THE RELEVANT GLASS PANEL FASCIA PRODUCT. IF THIS DOES NOT APPLY, PLEASE USE THE INSTALLATION INSTRUCTIONS FROM PAGE 9 ONWARDS.

**Note:** Please take care when installing the fascia as some edges may be sharp

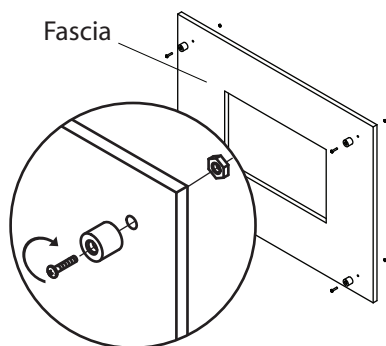
### PARTS INCLUDED

1 x Fascia, 1 x Glass Panel

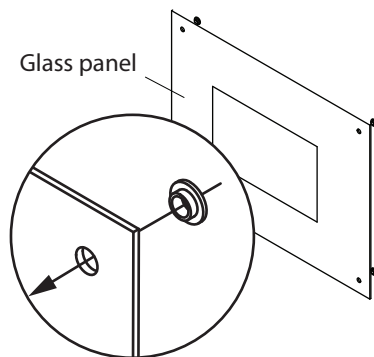
### FIXINGS PACK

4 x 20mm bolt, 4 x Nut, 4 x Large spacer, 4 x Bush, 4 x Decorative bolt,  
4 x Washer

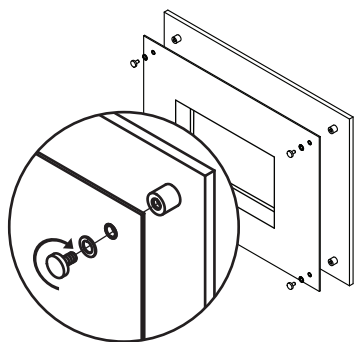
### ASSEMBLY



Using the four nuts and four 20mm bolts, fix the four large spacers to the wooden fascia as shown (using the pre-drilled holes).



Insert the bushes into the holes of the glass panel from the rear as shown.



Offer the glass panel up to the fascia and align the four holes with the large spacers fitted to the fascia. Make sure the bushes are seated correctly between the glass panel and the spacers.

Fix the glass panel to the fascia using the four Decorative bolts and washers. Note: Only tighten until 'snug.' Do not over tighten these bolts.



## INSTALLATION

### Important Electrical Safety

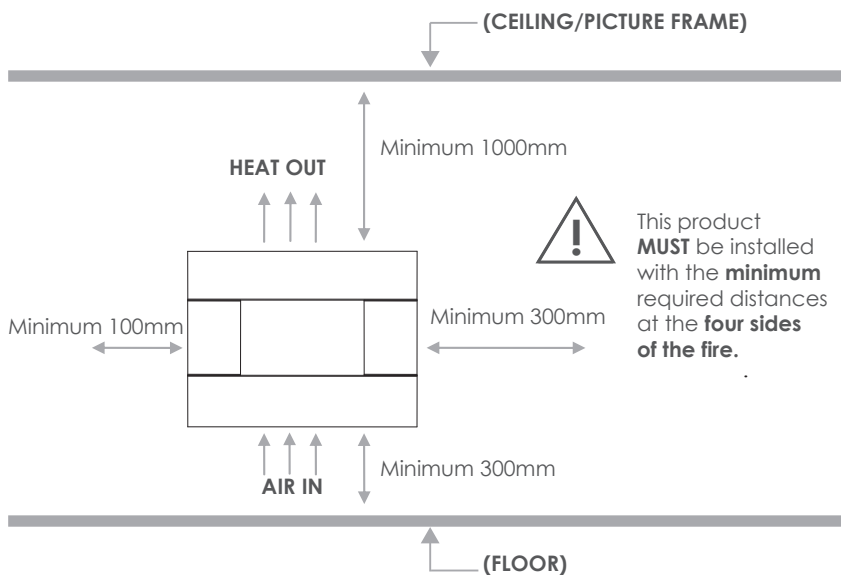
The fire must not be located immediately below a socket outlet. The socket must always be accessible in order to disconnect the fire from the electrical supply for maintenance and cleaning.

NOTE: Please take care when installing the fire as some edges may be sharp.

Before installation, please ensure that secure anchorage points can be made to the wall. If in doubt, please seek advice from a suitably qualified tradesman.

Please ensure that the minimum amount of space is left around the electric fire when it is installed. See the image below for details.

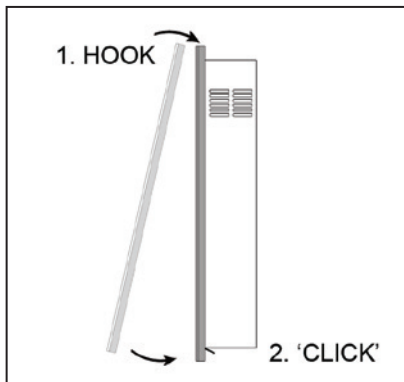
**WARNING:** Make sure the appliance's air inlets are not blocked to allow for ventilation.



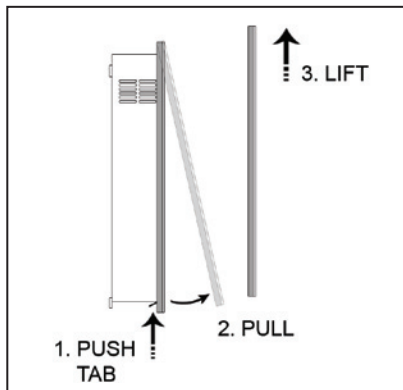
**WARNING:**

Check the wall to ensure there is no wiring, pipes etc in the area to be drilled.  
Do not plug in the fire before wall mounting.

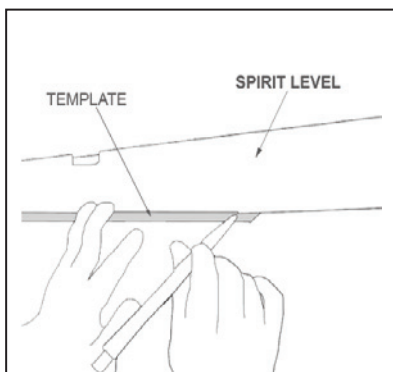
NOTE: Depending on the fascia style, your product may or may not be packaged with the fascia already attached.

**ATTACHING AND REMOVING THE FASCIA**

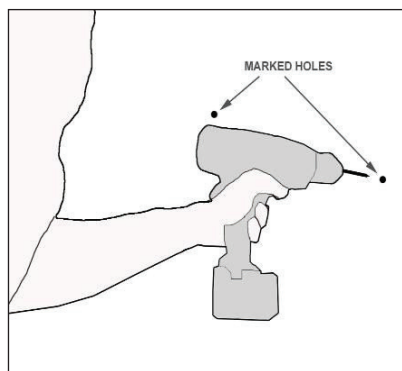
HOOK the fascia on to the fire then CLICK to secure.



PUSH the tab underneath the fire then PULL and LIFT the fascia off the fire

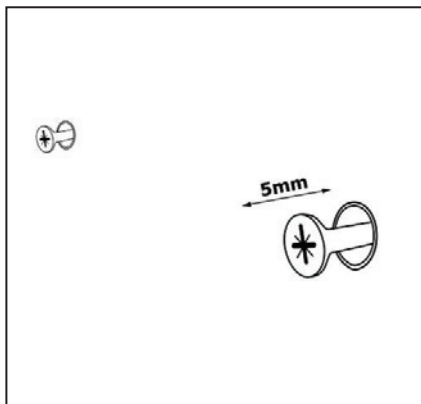
**INSTALLING THE FIRE**

Using the template provided and a spirit level, mark the locations of the 2 upper fixing holes with a pencil.

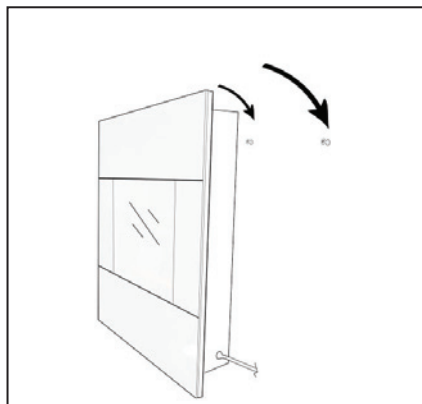


For solid walls, drill the 2 marked holes using a 6mm drill bit, then fit the supplied wall plugs.

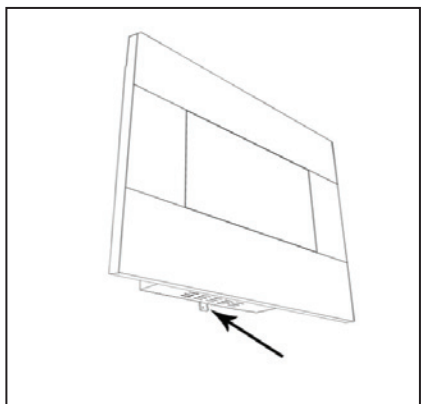
Note: if fitting to plaster board, propriety wall fixings should be used (not supplied)



Insert the 2 screws, leaving 5mm (approx) proud of the wall.

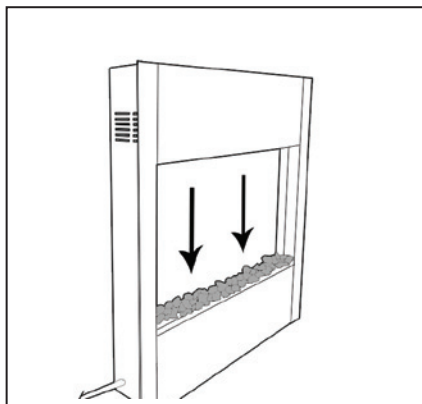


Hang the fire on the hooks situated on the back of the fire



Mark a third hole when the fire is mounted. Remove the fire, drill hole and insert the wall plug.

Replace the fire and insert the third screw to secure.



Remove the fascia and randomly place the pebbles along the bed as illustrated.

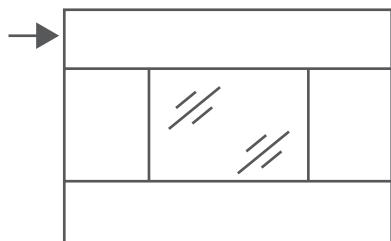
Reattach the fascia

Note: refer to the 'Attaching and removing the fascia' information on page 10.

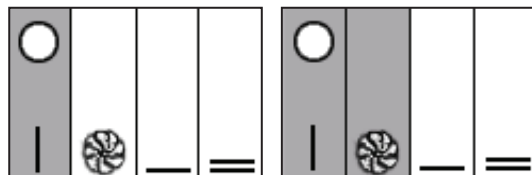
To uninstall the unit, remove the lower fixing screw and lift the unit to unhook it from the screws securing it to the wall.

## USE

The appliance is controlled using 4 switches, located on the top left side of the fire. A switch is in the ON position when the side with the markings on (e.g. I or II) is 'pressed in'. Use the following sequence to operate. The grey represents a 'pressed switch'.

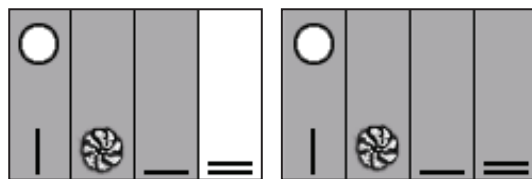


Controls located at the top left side of the fire



On/Off with Effect only

Cool Air Blow & Effect



1kW Heat Setting

1kW Heat Setting

## CARE

- Please allow the unit to cool down completely before cleaning.
- The glass fascia can be cleaned carefully using a soft cloth.
- If the supply cord is damaged, it must be replaced by a suitably qualified person.
- The area around the fire should be kept free from animal hair, lint and other extraneous material that may be drawn into the workings of the appliance which could affect its performance.

## PLUG REPLACEMENT

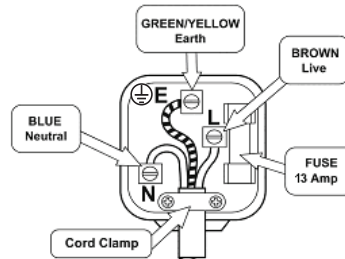
(for product fitted with BS plug)

This appliance is supplied with a BS1363 3 pin plug fitted with a 13 Amp fuse. Should the fuse require replacement, it must be replaced with a fuse rated at **13 Amp** and approved to BS1362.

In the event the mains plug has to be removed/replaced for any reason, please note:

The wires in the mains lead on this appliance are coloured in accordance with the following code:

Green and Yellow - Earth  
 Blue - Neutral  
 Brown - Live



### THIS APPLIANCE MUST BE EARTHED

As the colours may not correspond with the markings identifying the terminals in your plug proceed as follows.

- The green and yellow earth wire must be connected to the terminal in the plug which is marked with the letter E or with the earth symbol (⊕)
- The blue wire must be connected to the terminal marked N
- The brown wire must be connected to the terminal marked L

Important - any cut off plug should be disposed of safely to prevent hazard. There is a danger of electric shock if a cut off plug is inserted into a socket outlet.

## SPECIFICATION

Supply Voltage	-	220-240V~50Hz
Rated Power	-	2000W
Fuse Rating (BS Plug)	-	13 Amp
Lighting	-	5W LED Array (non serviceable)
Class	-	1

**CONFORMITY WITH DIRECTIVES**

Conforms with relevant European Directives

**ENVIRONMENTAL PROTECTION**

- (WEEE) Waste Electrical and Electronic Equipment

Waste electrical products should not be disposed of with household waste. Please recycle where facilities exist. Check with your Local Authority or retailer for recycling advice.

- This appliance complies with the RoHS directive which restricts the use of certain hazardous substances in electrical and electronic equipment. This directive bans the placing on the EU market of new electrical and electronic equipment containing more than agreed levels of lead, cadmium, mercury, hexavalent chromium, polybrominated biphenyl (PBB) and polybrominated diphenyl ether (PBDE) flame retardants.





## GUARANTEE

For your convenience, you are not required to complete a form and return it to us in order to validate your guarantee. However, please ensure that you retain your receipt which will act as both proof of purchase and a guarantee validation document. **We recommend that you attach your receipt to this documentation.**

Your product carries a 12 month guarantee from the date that the original purchaser receives it. If your product fails to operate to its specification, due to faulty workmanship or materials during the guarantee period, we will either repair or replace the product. We will use our discretion to determine whether to offer a repair or provide a replacement. The product will not be covered by the guarantee if it has been misused, transformed, modified or altered in any way.

If your product fails within the guarantee period please ensure that you have all necessary documentation available including proof of purchase (receipt or invoice with serial number, location and date of purchase) in addition to all original undamaged packaging and leaflets etc. It is strongly recommended that you inspect your product carefully before it is used or installed. For full details of your product you should refer to the instruction manual which accompanies the product. You are strongly advised to read this manual carefully in its entirety and to retain it for future reference.

This product guarantee does not affect your statutory rights.

## CUSTOMER HELPLINE

 08448 809 301

 [customer.support@firedupgroup.co.uk](mailto:customer.support@firedupgroup.co.uk)



Fired Up Corporation Ltd.  
Fired Up Buildings  
St Thomas Road  
Huddersfield  
HD1 3LF  
United Kingdom

[www.firedupgroup.co.uk](http://www.firedupgroup.co.uk)