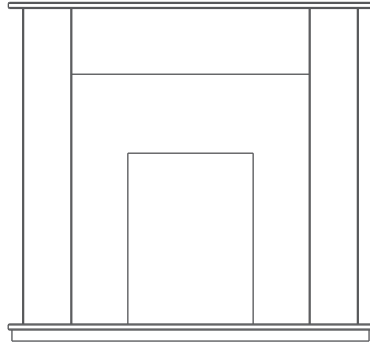


AURORA

SURROUND SETS & MANTELS



Styles may vary

www.aurora-marble.com

These notes must be read before installation

These instructions are for your safety. Please read through them thoroughly before use and retain for future reference. Failure to follow them could cause injury and/or property damage.

CONTENTS**SECTION 01**

Cautions	03
Electrical Safety	03
Introduction	04
Handling	04
Unpacking	04

SECTION 02

Check your product	05
Identify your product	05

SECTION 03

Assembly	06
Care and maintenance	09
Guarantee	12
Contact Details	12

CAUTIONS

DO'S

-
- Always install this product in accordance with this guide.
-
- Always use a registered gas safe engineer when installing gas fires.
-
- Seek professional help when installing this product.
-
- If using an electric fire with this product, always make sure the electrical socket is accessible and located adjacent to, but not above or behind the fireplace.
-
- Always ensure the product is assembled in an area that is free from dust, grease or liquids.
-
- Always ensure that the correct tools are used to assemble/install this product.
-
- Always make sure the fire is firmly secured in place when complete.
-

DON'TS

-
- Never install or use the fire anywhere where water is in use, i.e. bathrooms, kitchens, shower rooms, swimming pools etc.
-
- Never route the mains supply cord under carpet etc.
-
- Never install the fireplace close to curtains or combustible materials.
-
- Never sit or stand on the fireplace.
-
- Never use abrasive materials or cleaning agents to clean this product.
-

ELECTRICAL SAFETY (IF SUPPLIED WITH DOWNLIGHTS)

- Do not spray liquids directly onto any surface of the downlights.
- If the supply cord is damaged, it must be replaced by the manufacturer or its service agent or a similarly qualified person in order to avoid a hazard.
- The downlights are not intended for use by persons (including children) with reduced physical, sensory or mental capabilities, or lack of experience and knowledge, unless they have had supervision or instruction concerning use of the appliance by a person responsible for their safety.
- Children should be supervised to ensure that they do not play with the downlights.
- The plug must be accessible after installation to allow for isolation in an emergency.

INTRODUCTION

Thank you for choosing this product. The product is designed to meet the most stringent quality, performance, and safety requirements. This guide aims to improve your understanding and appreciation of your new fire surround by providing simple and informative assembly instructions.

Warning: Fire, electric shock, physical injury, product damage, and property damage may occur if this product is not installed correctly. Always follow these care and use instructions, and retain for future reference.

HANDLING

Before continuing any further with the installation of this product please read the following:

- When lifting always keep your back straight. Bend your legs and not your back.
- Avoid twisting at the waist. It is better to reposition your feet.
- Avoid upper body / top heavy bending. Always bend from the knees rather than the waist. Do not lean forward or sideways whilst handling components.
- Always grip with the palm of your hand. Do not use the tips of your fingers for support.
- Always keep the product as close to the body as possible to prevent unnecessary and undue strain on the body.
- Use gloves to provide additional grip.
- Seek assistance when lifting heavy parts.

UNPACKING THE PRODUCT

The unit is supplied in multiple parts. Carefully unpack the parts using the following procedure:

- Ensure that the product is in the correct position with the carton / label wording legible.
- Make sure the installation site is clear, with no obstacles or trip hazards.
- Unpack the parts close to the installation site.
- Do not dispose of packaging materials until installation has been completed.
- Seek assistance when lifting parts.



WARNING: THIS PRODUCT MUST BE INSTALLED BY A PROFESSIONAL, FAILURE TO DO SO MAY RESULT IN INJURY AND/OR PRODUCT AND PROPERTY DAMAGE.

CHECK

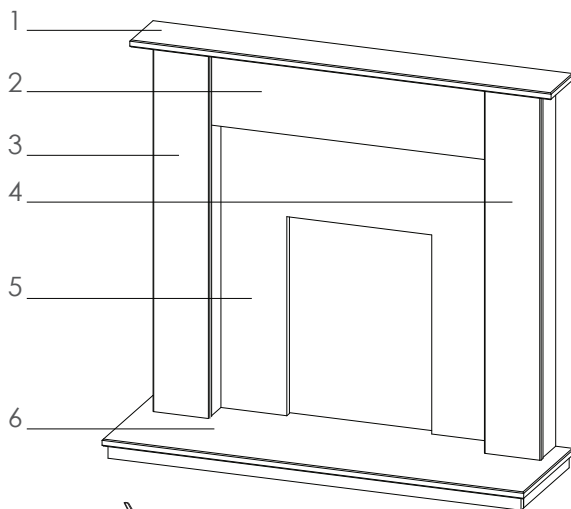
- ✓ Make sure all parts are present. This product is supplied in multiple pieces.
- ✓ Before installation, check that all parts are free from damage.
- ✓ Make sure the correct type of fire is being installed. Electric and gas fires can be used with this surround set. Solid fuel fires and any products that produce more than 4kW of heat are not recommended.



IMPORTANT: This product must be assembled and installed by a qualified professional.

IDENTIFY YOUR PRODUCT

1. Shelf
2. Header
3. Left Leg
4. Right Leg
5. Back Panel
6. Hearth



Some products
come with
downlights



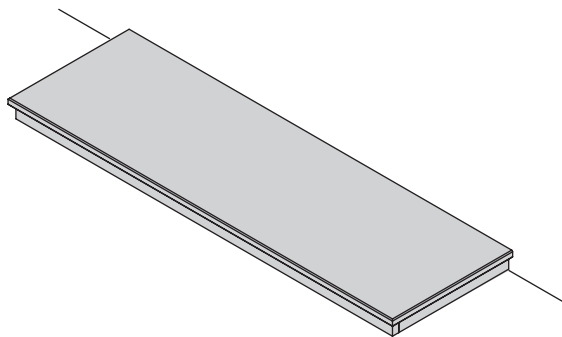
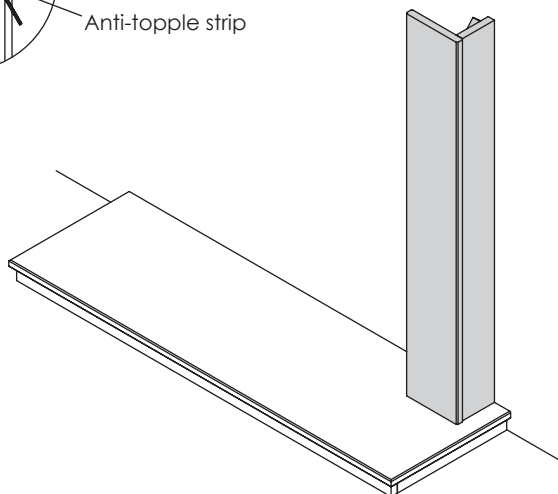
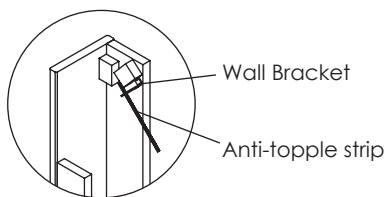
ASSEMBLY

1**IMPORTANT:**

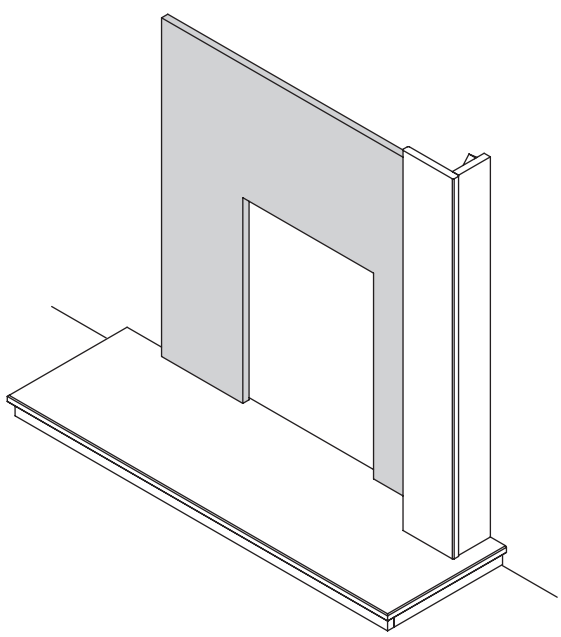
This product must be assembled and installed by a qualified professional. These diagrams are to aid the fitter.

**NOTE: FOR PRODUCTS WITH DOWNLIGHTS:**

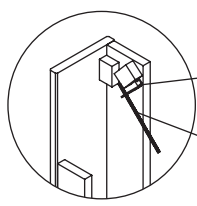
Downlights must be safely installed along with the fireplace.

**2**

3

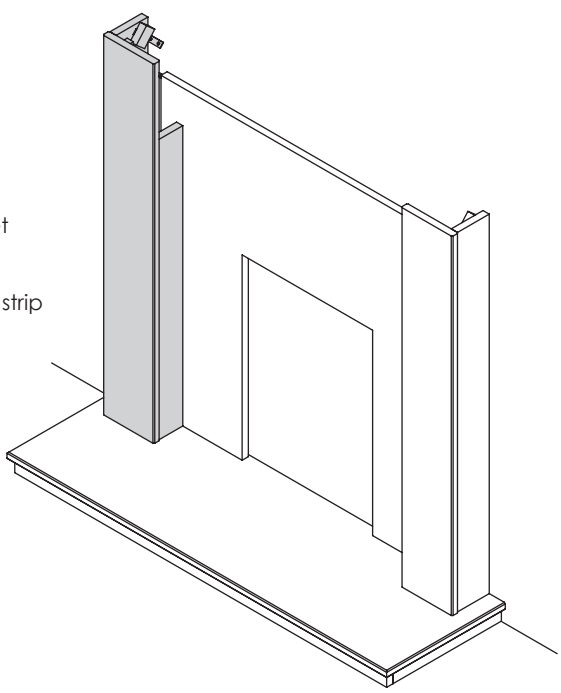


4

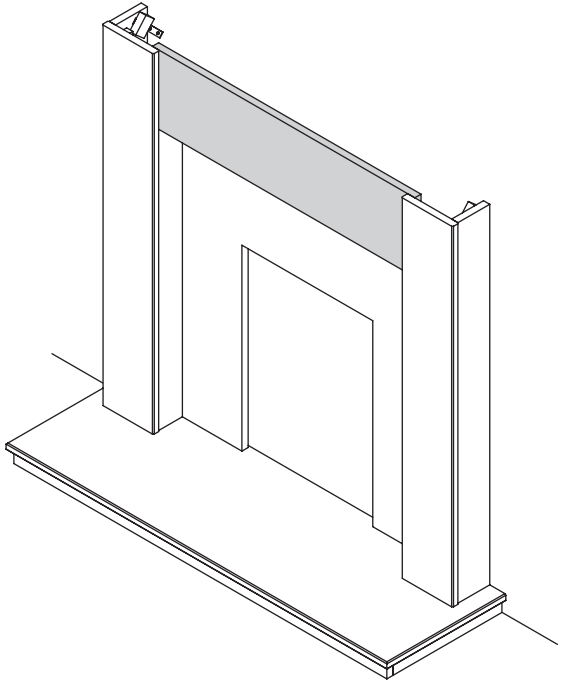


Wall Bracket

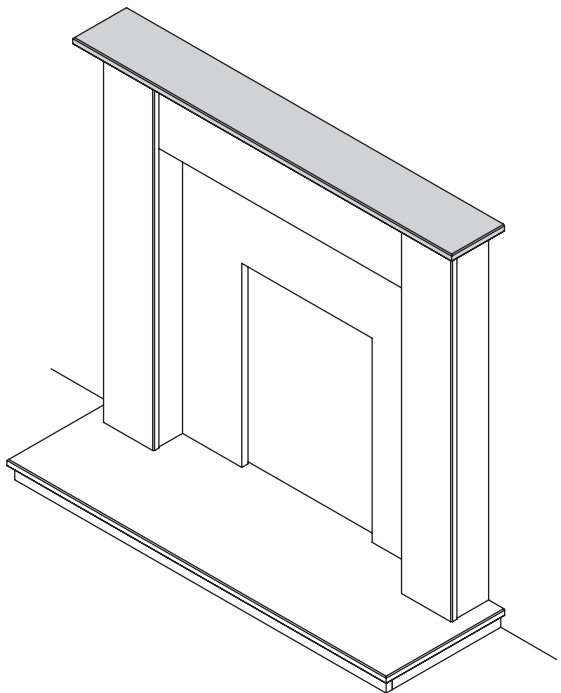
Anti-topple strip



5



6



CARE AND MAINTENANCE

- If you have an electric fire and/or downlights with this surround set, turn off the power and unplug the electric fire before cleaning.
- If you have a gas fire with this surround set, turn off the fire and allow to cool before cleaning.
- Marble and granite are porous materials and are very delicate where liquids are concerned. If anything is spilt on the marble it should be cleaned immediately.
- Micro-marble has polished surfaces and edges; these can be easily scratched.



IMPORTANT: Do not use cleaning agents or abrasive wipes.

- 1 Dust down the surfaces with a soft duster.
- 2 Use warm water; cleaning agents will damage the material. For granite products, you can use specialist granite cleaners.
- 3 Use a soft sponge to soak up the warm water and ring out thoroughly.
- 4 Wipe down the surfaces of the material.
- 5 Use a soft, dry cloth to dry the surfaces immediately after cleaning.

TECHNICAL INFORMATION



WARNING: THIS PRODUCT MUST BE INSTALLED BY A PROFESSIONAL, FAILURE TO DO SO MAY RESULT IN INJURY AND/OR PRODUCT AND PROPERTY DAMAGE.



WARNING: FOR USE WITH GAS OR ELECTRIC FIRES ONLY. GAS FIRES MUST BE FITTED AND APPROVED BY A REGISTERED GAS SAFE ENGINEER.



WARNING: THIS PRODUCT IS NOT SUITABLE FOR USE WITH SOLID FUEL FIRES AND STOVES, OR ANY PRODUCTS THAT PRODUCE MORE THAN 4kW OF HEAT.

[AFFIX RECEIPT OR PROOF
OF PURCHASE HERE]

GUARANTEE

For your convenience, you are not required to complete a form and return it to us in order to validate your guarantee. However, please ensure that you retain your receipt which will act as both proof of purchase and a guarantee validation document. **We recommend that you attach your receipt to this documentation.**

Your product carries a 12 month guarantee from the date that the original purchaser receives it. If your product fails to operate to its specification, due to faulty workmanship or materials during the guarantee period, we will either repair or replace the product. We will use our discretion to determine whether to offer a repair or provide a replacement. The product will not be covered by the guarantee if it has been misused, transformed, modified or altered in any way.

If your product fails within the guarantee period please ensure that you have all necessary documentation available including proof of purchase (receipt or invoice with serial number, location and date of purchase) in addition to all original undamaged packaging and leaflets etc. It is strongly recommended that you inspect your product carefully before it is used or installed. For full details of your product you should refer to the instruction manual which accompanies the product. You are strongly advised to read this manual carefully in its entirety and to retain it for future reference.

This product guarantee does not affect your statutory rights.

Customer support:

Tel: 0844 8809 358

Email: aurora.support@firedupgroup.co.uk



www.firedupgroup.co.uk

Fired Up Corporation Ltd.
Fired Up Buildings
St Thomas Road
Huddersfield
HD1 3LF
United Kingdom