

LED Downlights

Read ALL the instructions before use.

These instructions are for your safety. Please read through them thoroughly before use and retain for future reference.

Failure to follow them could cause injury and/or property

CONTENTS

SECTION 01

Cautions	03-05
Important Safety Information	06-07

SECTION 02

Downlight Installation	08-09
Downlight Wiring Diagram	10

SECTION 03

Use	11
Care	11
Specification	11
Conformity & the Environment	11
Guarantee	12
Contacts	12

IMPORTANT!

- Suitable for gas & electric fires only
- Not suitable for solid fuel fires
- Never install or use the fire anywhere where water is in use, i.e. bathrooms, kitchens, shower rooms, and swimming pool etc.
- Always make sure the electrical socket is accessible after installation.
- Always disconnect from electrical supply before carrying out cleaning or maintenance.
- Take care if switching the down lights on/off when the fire is on.
- Max fire output - 5.5KW*
- Minimum distance 'A' - 165mm*

(This product has been tested with gas fires up to 5.5kw - 89% efficiency with distance 'A' at 165mm)

- See Page 8/9 for installation instructions

CAUTIONS

DO'S

-
- Read ALL the instructions before using these downlights
-
- Only use this appliance for its intended use as described in this manual.
-
- Check your mains supply is the same as that indicated on the product before connecting and only connect to an earthed socket outlet.
-
- Always check your mains supply is the same as that indicated on the product before connecting.
-
- Always make sure the electrical socket is accessible and located adjacent to, but not above or behind the fire surround these lights are used with.
-
- Fully unwind the supply cord before plugging into the wall socket.
-
- Always make sure the fire is firmly secured.
-
- Always disconnect the appliance from the electrical supply before carrying out cleaning or maintenance.
-
- Always make sure the fire is firmly secured to the wall when complete after fitting of downlights.

DON'TS

- Never install or use the fire anywhere where water is in use, i.e. Bathrooms, Kitchens, Shower Rooms, and Swimming Pool etc.
-
- Never use aerosols or steam cleaners on or around the fire.
-
- Never route the supply cord under carpeting and never cover the cord with throw rugs, runners, etc. Arrange the cord away from traffic areas and where it will not be tripped over.
-
- Do not use outdoors.
-
- Never cut off the plug and hard wire into a fixed fused spur
-
- Never use with a timer or any other device that switches the fire on automatically.
-
- Warning: In order to avoid overheating, do not cover the heater.
-
- Warning: This heater is not equipped with a device to control the room temperature. Do not use this heater in small rooms when they are occupied by persons not capable of leaving the room on their own, unless constant supervision is provided.
-

IMPORTANT ELECTRICAL SAFETY

The plug must always be accessible, after installation, in order to disconnect the heater from the electrical supply for maintenance cleaning or isolation in an emergency.

If the supply cord is damaged, it must be replaced by the manufacturer or its service agent or a similarly qualified person in order to avoid a hazard.

This heater must be earthed. The supply cord must be safely routed from the heater to an electrical socket.

Any new wiring required, must be in accordance with local and national codes and other applicable regulations in order to reduce the risk of fire, electric shock, or other injuries. Always use a certified electrician should new circuits or outlets be required.

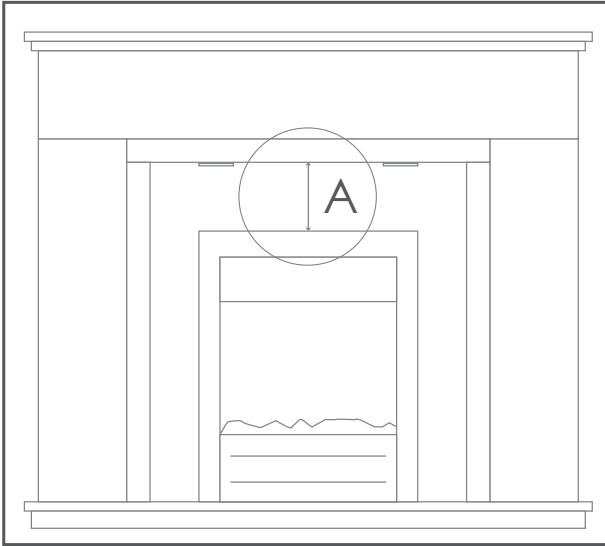
Avoid the use of an extension cord which may overheat and cause risk of fire. If an extension cord is necessary, it must be rated above the maximum rated power of the appliance. Care must be taken to arrange the cord so that it cannot be pulled or be tripped over.

IMPORTANT!

- This appliance can be used by children aged from 8 years and above and persons with reduced physical, sensory or mental capabilities or lack of experience and knowledge if they have been given supervision or instruction concerning use of the appliance in a safe way and understand the hazards involved.
- Children shall not play with the appliance.
- Cleaning and user maintenance shall not be made by children without supervision.
- If the supply cord is damaged, it must be replaced by the manufacturer, its service agent or similarly qualified persons in order to avoid a hazard.
- Children of less than 3 years should be kept away unless continuously supervised.
- CAUTION — Some parts of this product can become very hot and cause burns. Particular attention has to be given where children and vulnerable people are present.
- Children aged from 3 years and less than 8 years shall switch on/off the appliance provided that it has been placed or installed in its intended normal operating position and they have been given supervision or instruction concerning use of the appliance in a safe way and understand the hazards involved. Children aged from 3 years and less than 8 years shall not plug in, regulate and clean the appliance or perform user maintenance.

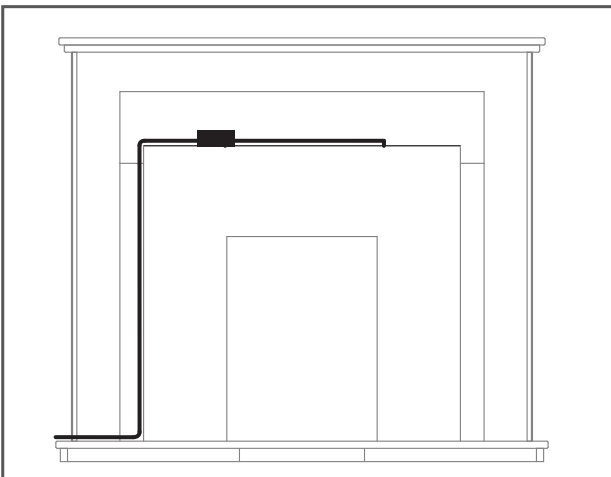
LED DOWNLIGHT INSTALLATION

Hole requirements



Light hole: 45 - 55mm
Switch hole: 20mm

Lights must be positioned a minimum of 507mm apart.

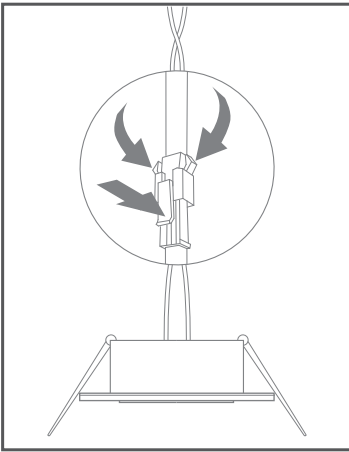


— Power Cable Routing
(may vary with different surrounds)

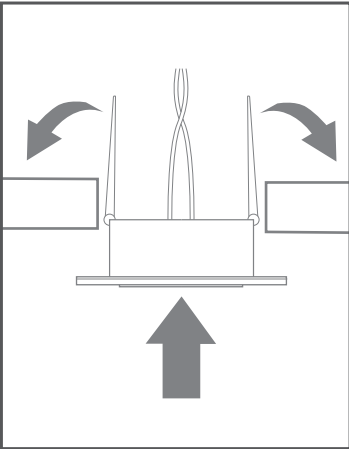
Distance 'A' must be a minimum of 165mm.

■ Transformer

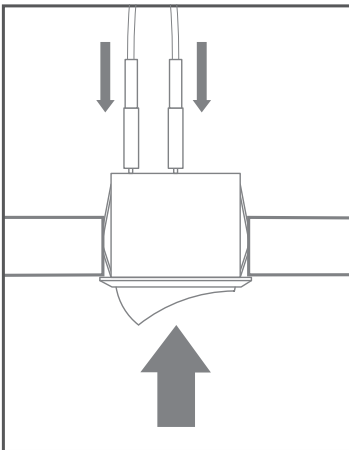
Allows enough 'slack' for the transformer to be accessed through downlight hole.



1. Release & join the connectors as show to install down light.

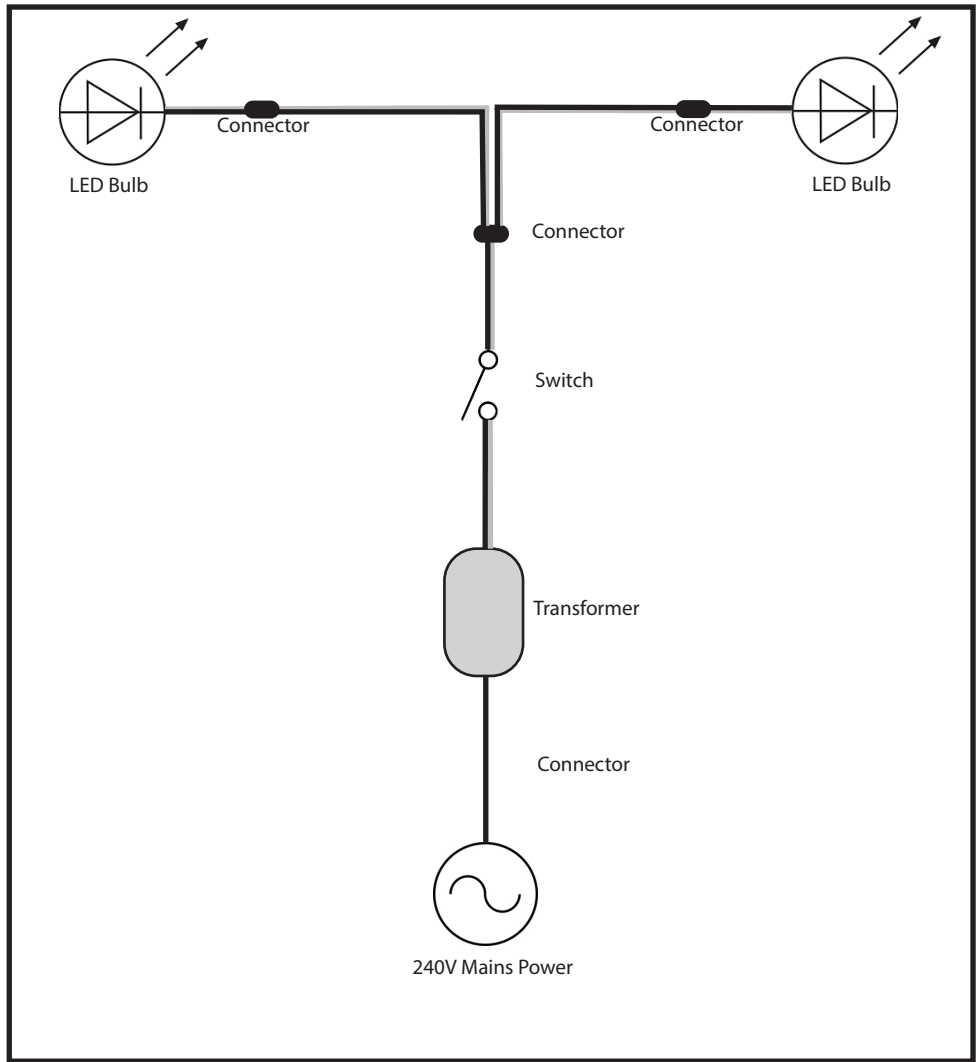


2. Holding the spring clips up, insert the down light in to the holes and release.



3. Release & join the connectors as shown to install switch.

LED Down Light Wiring Diagram



USE

To turn On/Off use the On/Off switch.

CARE

- Always switch off or disconnect from the mains supply when cleaning the product.
- Wipe clean with a soft dry cloth. Never use scourers, abrasives, or chemical cleaners.
- Do not allow moisture to come in contact with electric parts.
- Do not cover



APPLIANCE DATA

- Supply voltage: 220-240V~, 50Hz
- Type of Bulb: 2 x 1W LED

CONFORMITY WITH DIRECTIVES

Conforms with relevant European Directives

ENVIRONMENTAL PROTECTION

(WEEE) Waste Electrical and Electric Equipment. Waste electrical products should not be disposed of with household waste. Please recycle where facilities exist. Check with your Local Authority or retailer or recycling advice.



GUARANTEE

For your convenience, you are not required to complete a form and return it to us in order to validate your guarantee. However, please ensure that you retain your receipt which will act as both proof of purchase and a guarantee validation document. **We recommend that you attach your receipt to this documentation.**

Your product carries a 12 month guarantee from the date that the original purchaser receives it. If your product fails to operate to its specification due to faulty workmanship or materials during the guarantee period, we will either repair or replace the product. We will use our discretion to determine whether to offer a repair or provide a replacement. The product will not be covered by the guarantee if it has been misused, transformed, modified or altered in any way.

If your product fails within the guarantee period please ensure that you have all necessary documentation available including proof of purchase (receipt or invoice with serial number, location and date of purchase) in addition to all original undamaged packaging and leaflets etc. It is strongly recommended that you inspect your product carefully before it is used or installed. For full details of your product you should refer to the instruction manual which accompanies the product. You are strongly advised to read this manual carefully in its entirety and to retain it for future reference.

This product guarantee does not affect your statutory rights.

CUSTOMER HELPLINE

 0844 8809 345

 customer.support@firedupcorporation.com



www.firedupcorporation.com

Fired Up Corporation Ltd.
Fired Up Buildings
St Thomas Road
Huddersfield
HD1 3LF
United Kingdom
