

# Adam

SELF ASSEMBLY MANTEL

[www.adamfires.co.uk](http://www.adamfires.co.uk)

**These notes must be read before installation**

These instructions are for your safety. Please read through them thoroughly before use and retain for future reference. Failure to follow them could cause injury and/or property damage.

**CONTENTS****SECTION 01**

Cautions	03
Introduction	04
Handling	04
Unpacking	04

**SECTION 02**

Tools required	05
Identification	05
Parts supplied	05
Fixings pack	06

**SECTION 03**

Assembly	07-09
Specification	10
Guarantee	12
Contacts	12

## CAUTIONS

### DO'S

---

- Always assemble and install the product in accordance with this guide. If in doubt obtain expert advice.

---

- Always make sure the product is firmly secured.

---

- Always ensure the product is assembled in an area that is free from dust, grease, or liquids.

---

- Always ensure that the correct tools are used to install/assemble the product.

---

- Always make sure the mantel is firmly secured to the wall when complete.

---

### DON'TS

---

- Never install or use an electric fireplace anywhere where water is in use, i.e. Bathrooms, Kitchens, Shower Rooms, Swimming Pools etc.

---

- Never use aerosols or steam cleaners on or around the suite.

---

- Never install a fireplace close to curtains or combustible materials.

---

- Never sit or stand on the product.

---

- Never lean or put weight on the product.

---

## INTRODUCTION

Thank you for choosing this product. The product is designed to meet the most stringent quality, performance, and safety requirements. This guide aims to improve your understanding and appreciation of your new fire surround by providing simple and informative assembly instructions.

## HANDLING

Before continuing any further with the assembly and installation of this fire surround please read the following:

- When lifting always keep your back straight. Bend your legs and not your back.
- Avoid twisting at the waist. It is better to reposition your feet.
- Avoid upper body / top heavy bending. Always bend from the knees rather than the waist.
- Do not lean forward or sideways whilst handling the product.
- Always grip with the palm of the hand. Do not use the tips of fingers for support.
- Always keep the product as close to the body as possible. This will prevent unnecessary and undue strain on the body.
- Use gloves to provide additional grip.

## UNPACKING

Carefully unpack the product using the following procedure:

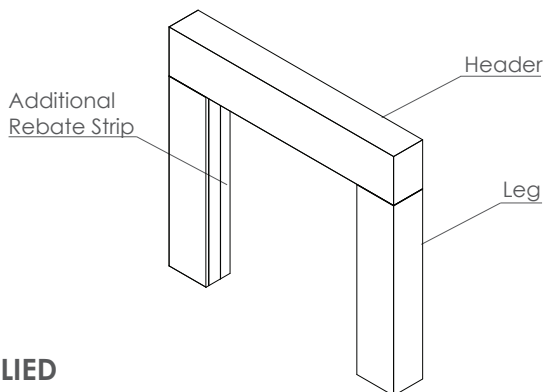
- Carefully lift the parts/product out of the box
- Carefully remove the protective wrapping from the parts
- Locate the fixing pack and put aside

## TOOLS REQUIRED

Crosshead screw driver (Electric screw driver recommended)

## IDENTIFICATION

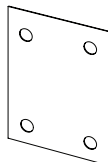
(Image for illustrative purposes only)



## PARTS SUPPLIED

Please identify the parts listed below and ensure you have **ALL** the correct parts before assembling the unit.

Description	Illustration	Qty
Legs (Left & Right)		x 2
Header		x 1
Additional Rebate Strips (Left, Right & Top)		x 3

**FIXINGS PACK****14x Large Screw,****8x Small Screw,****4x Bolt,****4x Wing nut,****2x Steel Plate**

Note: your product will have an additional set of instructions and fixings pack provided for securing the mantel to the wall. Please keep these safely on one side until required.

## ASSEMBLY

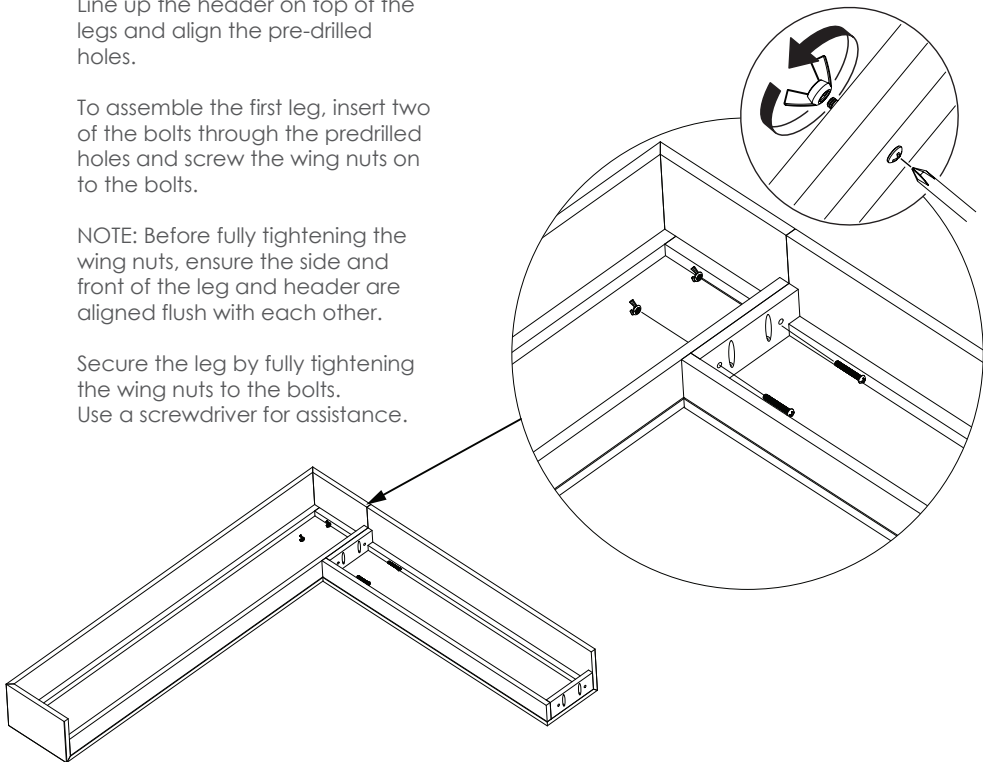
1. Lay out the legs on a stable surface or on the floor.

Line up the header on top of the legs and align the pre-drilled holes.

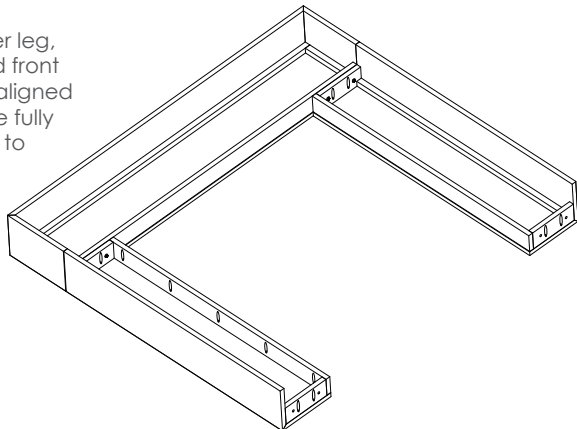
To assemble the first leg, insert two of the bolts through the predrilled holes and screw the wing nuts on to the bolts.

NOTE: Before fully tightening the wing nuts, ensure the side and front of the leg and header are aligned flush with each other.

Secure the leg by fully tightening the wing nuts to the bolts. Use a screwdriver for assistance.



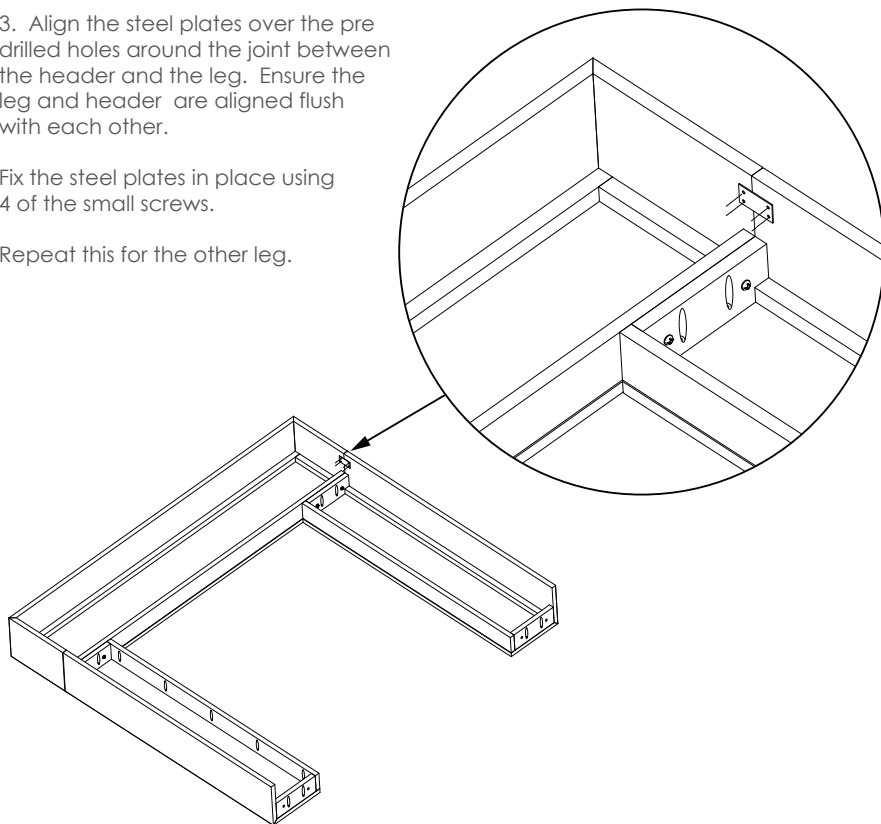
2. Repeat step 1 with the other leg, again ensuring the side and front of the leg and header are aligned flush with each other before fully tightening the wing nuts on to the bolts.



3. Align the steel plates over the pre drilled holes around the joint between the header and the leg. Ensure the leg and header are aligned flush with each other.

Fix the steel plates in place using 4 of the small screws.

Repeat this for the other leg.





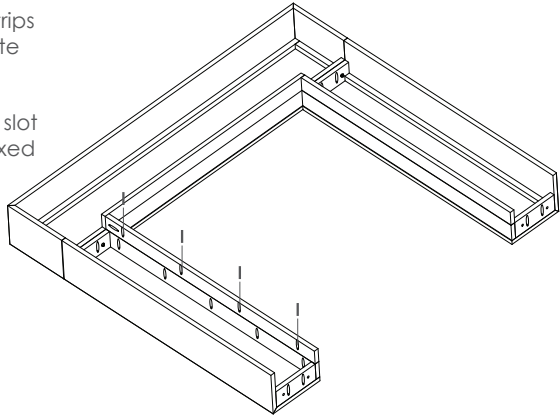
### Additional rebate option

Should you require a 1" (25mm) rebate rather than the provided 3" (75mm) rebate, follow these instructions to attach the additional rebate strip set.

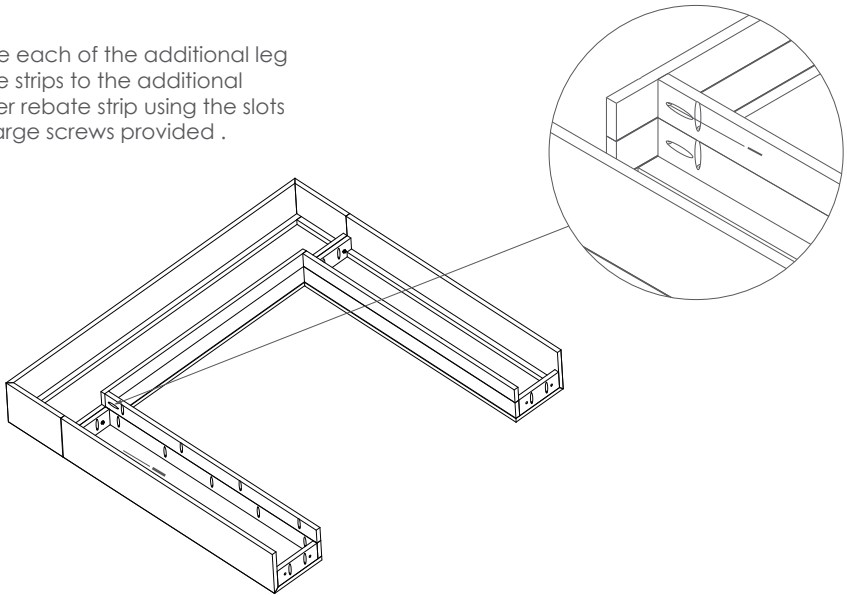
1. Place the additional rebate strips in position over the fixed rebate strips.

Insert a large screw into each slot and carefully screw into the fixed rebate strips.

Use an electric screwdriver for assistance.



2. Secure each of the additional leg rebate strips to the additional header rebate strip using the slots and large screws provided .



**IMPORTANT:** KEEP THE ADDITIONAL REBATE STRIP SET AND THE FIXING SCREWS IN A SAFE PLACE AS THEY MAY BE NEEDED SHOULD A DIFFERENT REBATE SIZE BE REQUIRED.

**SPECIFICATION**

---

Dimensions (mm)	-	H1070 x W1160 x D150
-----------------	---	----------------------

---



## GUARANTEE

For your convenience, you are not required to complete a form and return it to us in order to validate your guarantee. However, please ensure that you retain your receipt which will act as both proof of purchase and a guarantee validation document. **We recommend that you attach your receipt to this documentation.**

Your product carries a 12 month guarantee from the date that the original purchaser receives it. If your product fails to operate to its specification, due to faulty workmanship or materials during the guarantee period, we will either repair or replace the product. We will use our discretion to determine whether to offer a repair or provide a replacement. The product will not be covered by the guarantee if it has been misused, transformed, modified or altered in any way.

If your product fails within the guarantee period please ensure that you have all necessary documentation available including proof of purchase (receipt or invoice with serial number, location and date of purchase) in addition to all original undamaged packaging and leaflets etc. It is strongly recommended that you inspect your product carefully before it is used or installed. For full details of your product you should refer to the instruction manual which accompanies the product. You are strongly advised to read this manual carefully in its entirety and to retain it for future reference.

This product guarantee does not affect your statutory rights.

## CUSTOMER HELPLINE



08448 809 301



customer.support@firedupgroup.co.uk



Fired Up Corporation Ltd.  
Fired Up Buildings  
St Thomas Road  
Huddersfield  
HD1 3LF  
United Kingdom

[www.firedupgroup.co.uk](http://www.firedupgroup.co.uk)