

Use & Care Manual

Wood Surrounds

These instructions are for your safety. Please read through them thoroughly before use and retain for future reference. Failure to follow them could cause injury and/or property damage.

Note: This manual may apply for a number of different products. Images and diagrams may use example products but will still show the appropriate details specific to your product.

CONTENTS

Introduction	1
Unpacking	1
Tools Required	1
Surround Identification	2
Parts Supplied	2
Fixings Pack	3
Handling	3
Maintenance	3
Cautions	4
Cam Lock System	4
Assembly	5
Fitting Rebates	6

INTRODUCTION

Thank you for choosing this product. This product is designed to meet the most stringent quality, performance, and safety requirements. This guide aims to improve your understanding and appreciation of your new product by providing simple and informative assembly instructions.

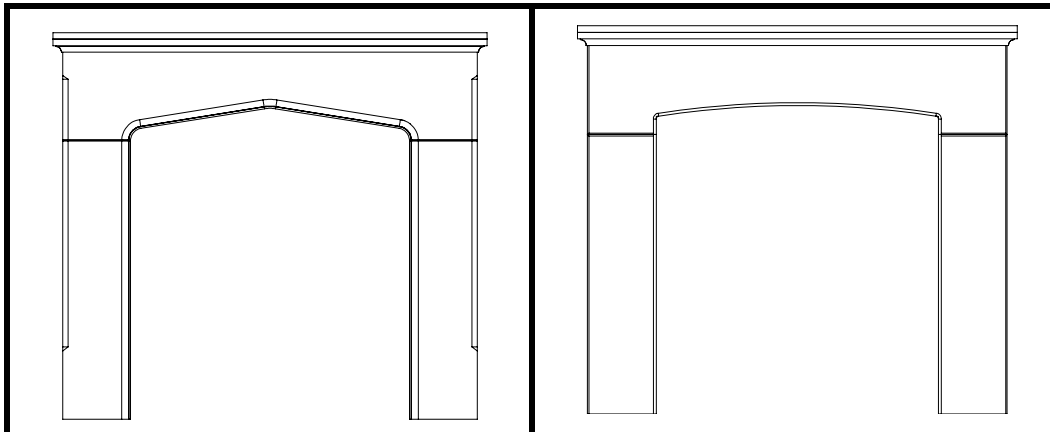
UNPACKING THE PRODUCT

Carefully unpack the product using the following procedure:

- Carefully lift the pieces/product out of the box
- Carefully remove the protective wrapping from the pieces
- Locate the fixing pack and put aside

TOOLS REQUIRED

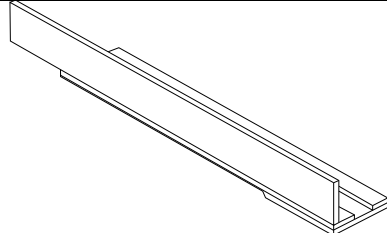
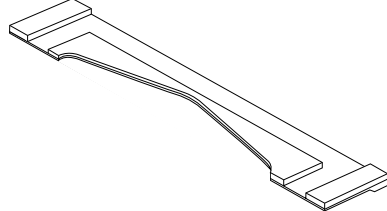
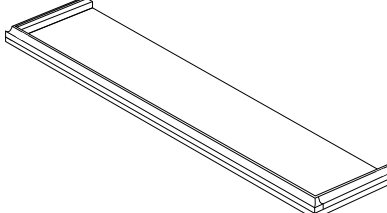
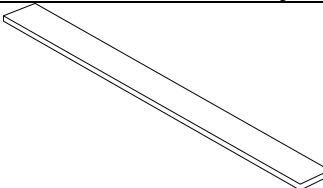
- Crosshead screw driver (Electric screw driver recommended)







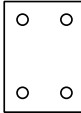
*Styles may vary

PARTS SUPPLIED

Please identify the parts listed below and ensure you have ALL the correct parts before installing the unit.

Description	Illustration	Qty
Legs (Left & Right)		x 2
Fascia		x 1
Mantel Top		x 1
Rebates		x 2 sets of 3

FIXINGS PACK

Description	Illustration	Qty. Surround A
25mm Screw		x 18
12mm Screw		x 8
Cam Dowel		x 5
Cam Lock		x 5
Bracket		x 2

HANDLING

Before continuing any further with the installation of this product please read the following:

- When lifting always keep your back straight. Bend your legs and not your back.
- Avoid twisting at the waist. It is better to reposition your feet.
- Avoid upper body / top heavy bending. Always bend from the knees rather than the waist. Do not lean forward or sideways whilst handling the fire.
- Always grip with the palm of the hand. Do not use the tips of fingers for support.
- Always keep the product as close to the body as possible. This will prevent unnecessary and undue strain on the body.
- Use gloves to provide additional grip.
- Always use assistance if required.

MAINTENANCE

Painted/Veneered Surrounds

- When cleaning, do not use abrasive cleaners or any cleaning agents.
- Use a damp cloth to wipe down surfaces.

CAUTIONS

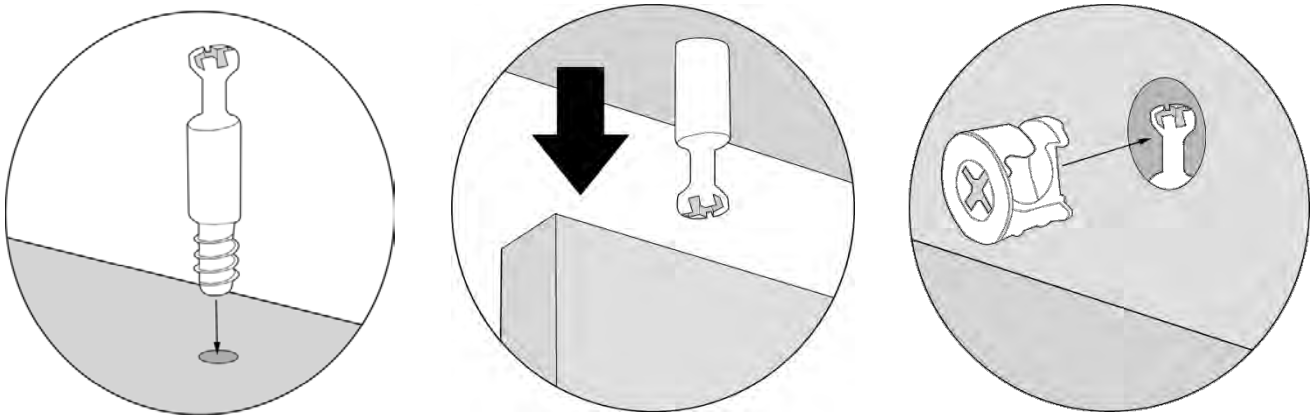
Do	• Always install the product in accordance with this guide. If in doubt obtain expert advice.
	• Always make sure the product is firmly secured.

	<ul style="list-style-type: none"> • Always ensure the product is assembled in an area that is free from dust, grease or liquids. • Always ensure that the correct tools are used to install/assemble the product. • Always make sure the appliance is firmly secured to the wall when complete
Don't	<ul style="list-style-type: none"> • Never install or use the appliance anywhere where water is in use, i.e. Bathrooms, Kitchens, Shower Rooms, and Swimming Pool etc. • Never use aerosols or steam cleaners on or around the appliance. • Never install the appliance close to curtains or combustible materials. • Never sit or stand on the product. • Never lean or put weight on the product.

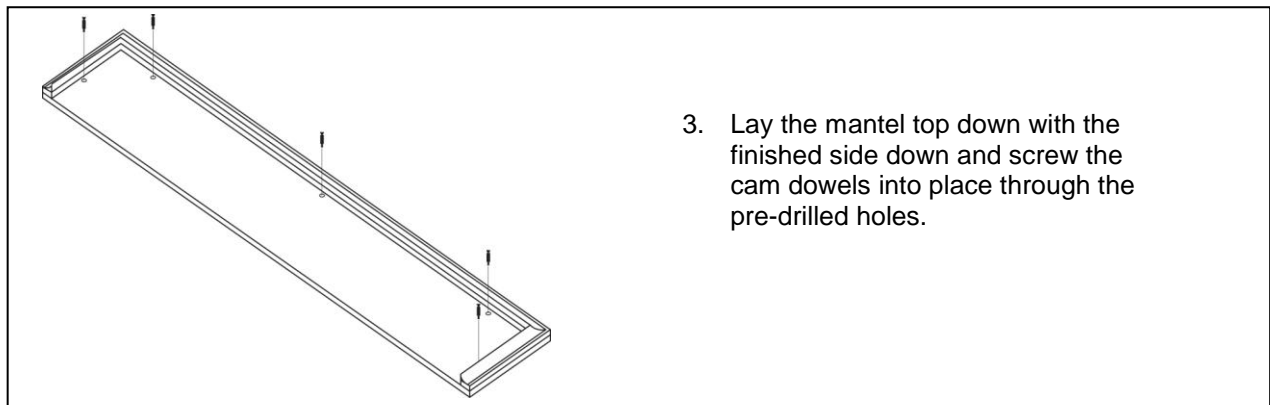
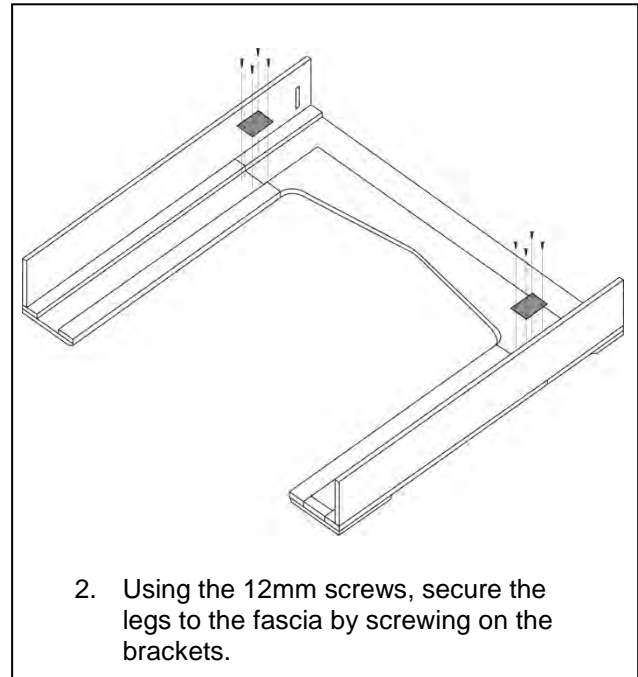
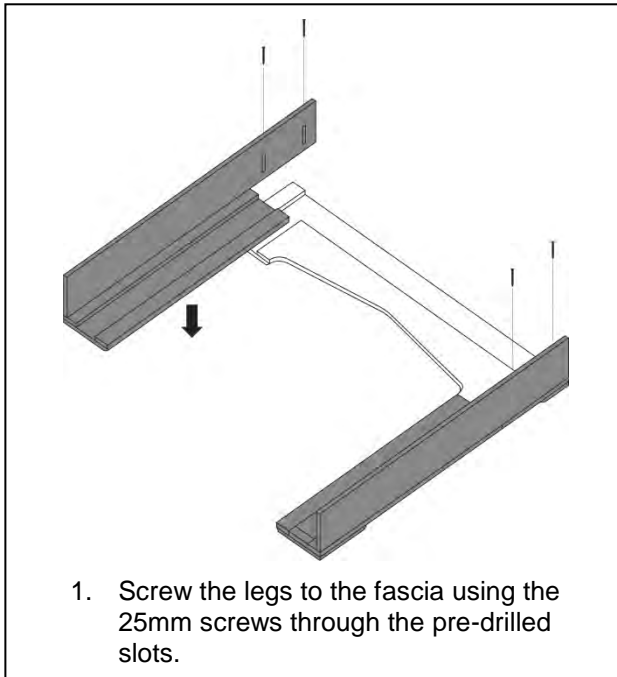
NOTE: IT IS ADVISED THAT AN ELECTRIC SCREWDRIVER IS USED THROUGHOUT THE CONSTRUCTION AND INSTALLATION OF THIS PRODUCT

CAM LOCK SYSTEM

Please study the illustrations below of the Cam Lock system before assembling the surround.



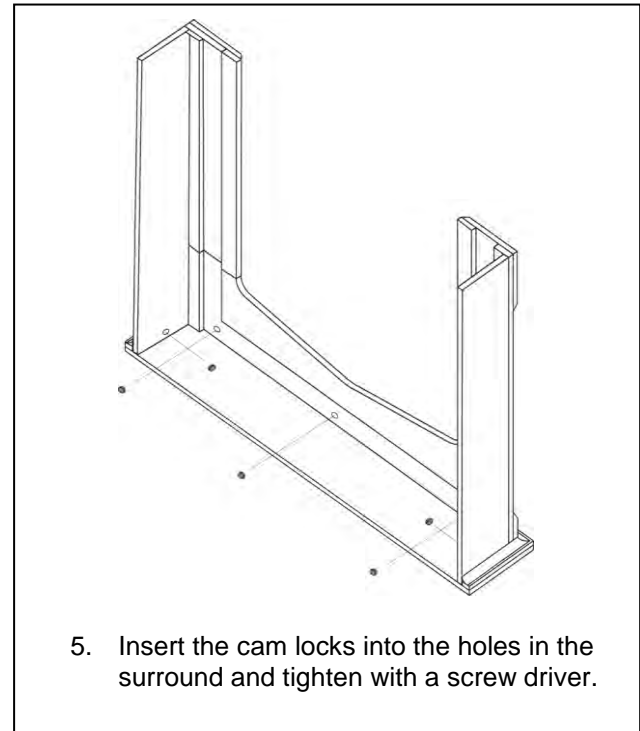
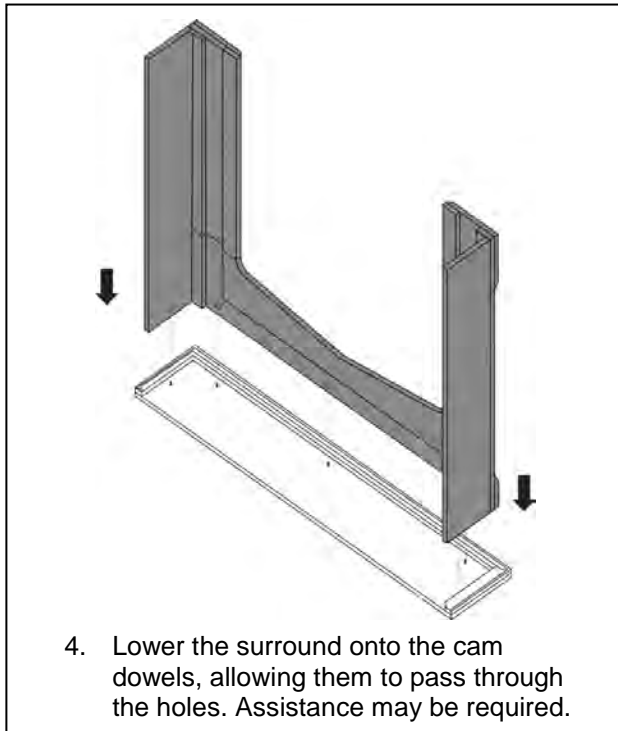
ASSEMBLY



NOTE:

SURROUND A USES 5 CAM DOWELS AND CAM LOCKS AS ILLUSTRATED.

SURROUND B USES 8 CAM DOWELS AND CAM LOCKS, PLEASE ENSURE ALL 8 ARE USED IF ASSEMBLING SURROUND B.

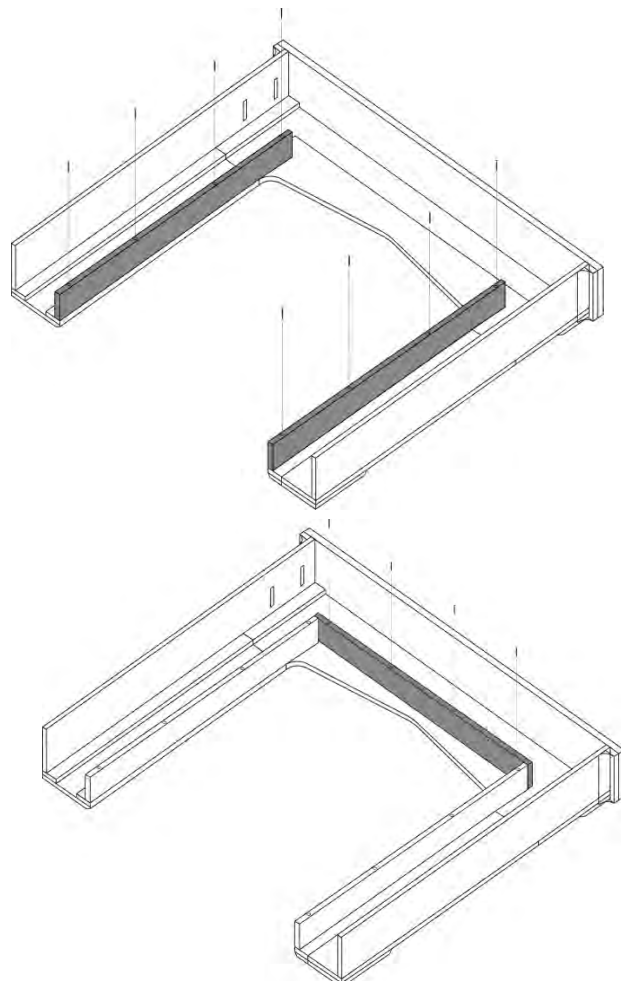


FITTING REBATES

Identify which set of rebates need to be fitted depending on your installation.

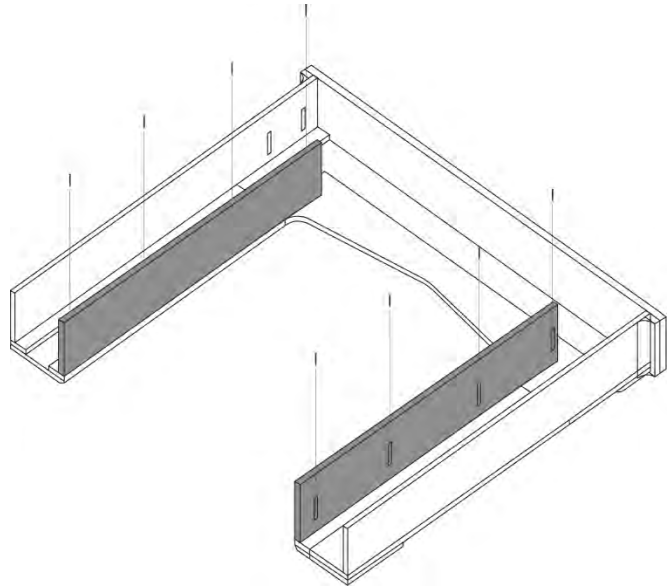
Electric Fire rebates

1. Identify the **small** rebate set and put aside the shortest of the three. Line up the two remaining rebates along the inside of the legs as shown. Ensure the wood veneer is facing towards the centre of the surround and attach the rebates with the 25mm screws.
2. Now lay the final rebate across the top of the previously fitted rebates. Make sure it is lined up and facing the correct way. Attach the rebate using the 25mm screws.



Electric Stove rebates

1. Identify the **large** rebate set and put aside the shortest of the three. (This rebate is not needed for the installation of an Electric Stove). Line up the two remaining rebates along the inside of the legs as shown. Ensure the wood veneer is facing towards the centre of the surround and attach the rebates with the 25mm screws.



Gas Fire rebates

1. Identify the **large** rebate set and put aside the shortest of the three. Line up the two remaining rebates along the inside of the legs as shown. Ensure the wood veneer is facing towards the centre of the surround and attach the rebates with the 25mm screws.
2. *Have the top rebate fitted by the professional fitter that installs the Gas system.*

